



Todoperfil s.l.

Experience and technology applied to profiles

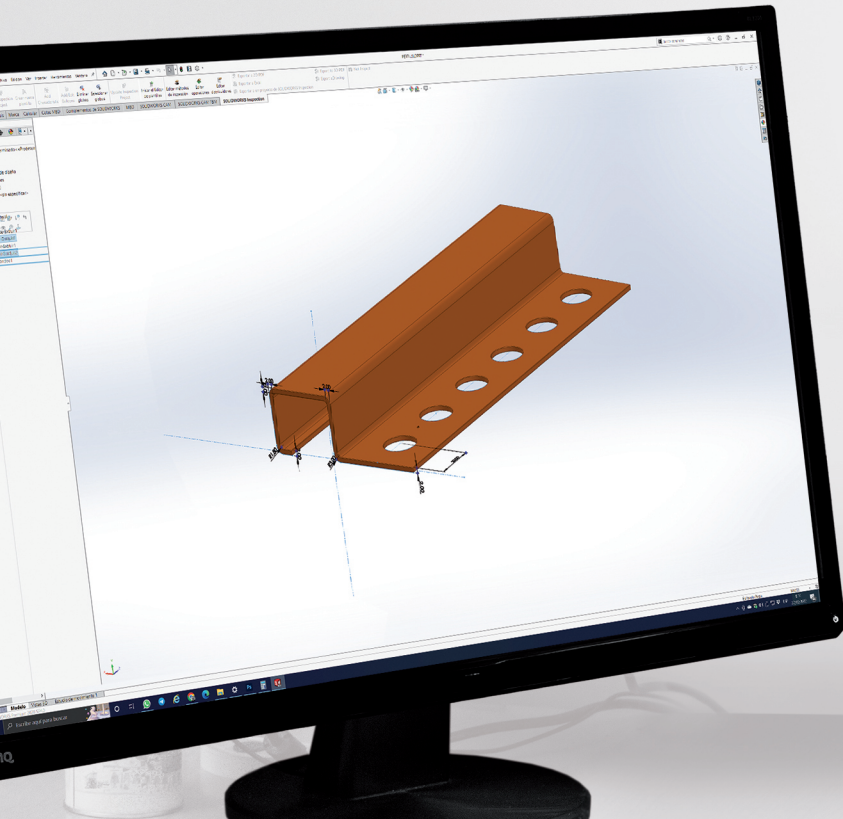
Todoperfil s.l.

The company TODOPERFIL s.l. is the result of more than 25 years of industrial experience in the technical metal profiles and sections sector.

Our workforce includes people with wide and deep experience, specialized in the areas of metal sections, stamping, welding and assembling.

This experience, complemented with the latest technology, enables us to successfully develop top-level technical products.

Our philosophy is continuous improvement in all areas of the company and our main objective is the satisfaction of our customers.



FACILITIES AND PRODUCTION CAPACITY

Our machinery is very versatile to adapt quickly to the technical demands of each product.

FORMING MACHINES till 14 stations with the capacity of forming forms from 0,3mm. to 3mm. of thickness till 275mm. of development.

PRESS MOLDS up to 60T equipped with levelers, sheet metal decoilers and feeders to manufacture punched and stamped products.

BENDING MACHINES that allows us to give the profiles different geometries.

WELDING MACHINES that give us the possibility of manufacturing small sub-assemblies.

PROFILE PROCESS EXAMPLE



PRODUCTION CA

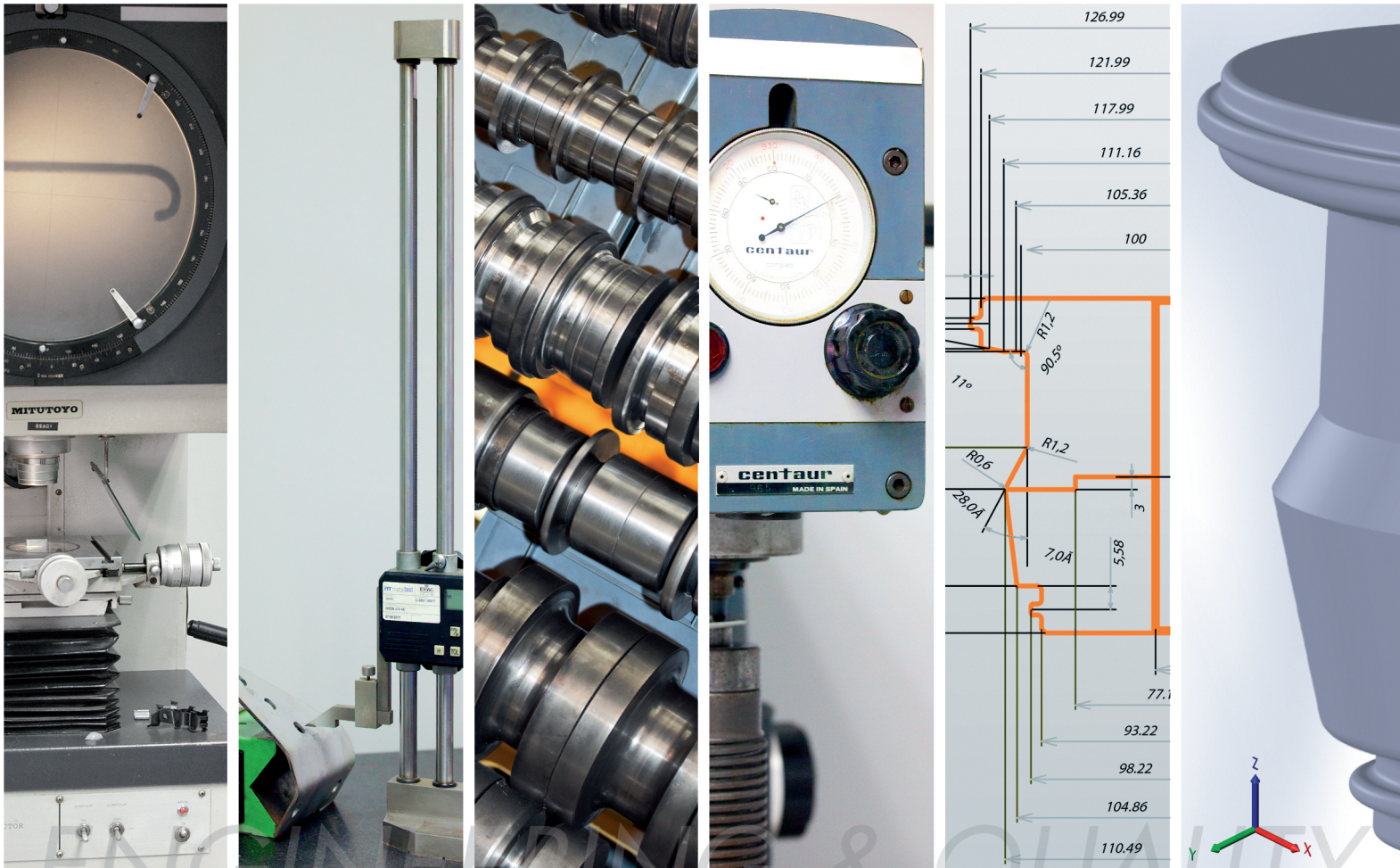
ENGINEERING AND QUALITY DEPARTMENT

TODOPERFIL is capable of developing through a feasibility study, projects with complex technical requirements.

We apply our experience in profiling technology combined with the latest technical design software.

We offer a comprehensive service, starting from a plane or a profile sample, we develop a detailed study, design of manufacturing tools, their mechanization and their adjustment in the final manufacturing process.

Our quality department is responsible for guaranteeing the quality standards established with our customers, the implementation and maintenance of our ISO 9001:2015 quality system.



QUALITY CERTIFICATE ISO 9001:2015

Our company has ISO 9001:2015 certification, the quality department is equipped with the latest control elements to ensure stability in all manufacturing processes.



CONTACT

Tel +34 935 600 364
Fax +34 935 749 864
todoperfil@todoperfil.cat
www.todoperfil.cat

DISPATCHES

Cadaqués 32
08120 La Llagosta
Barcelona
SPAIN

OFFICES AND GOODS RECEIPT

Barcelona 21
08120 La Llagosta
Barcelona
SPAIN